

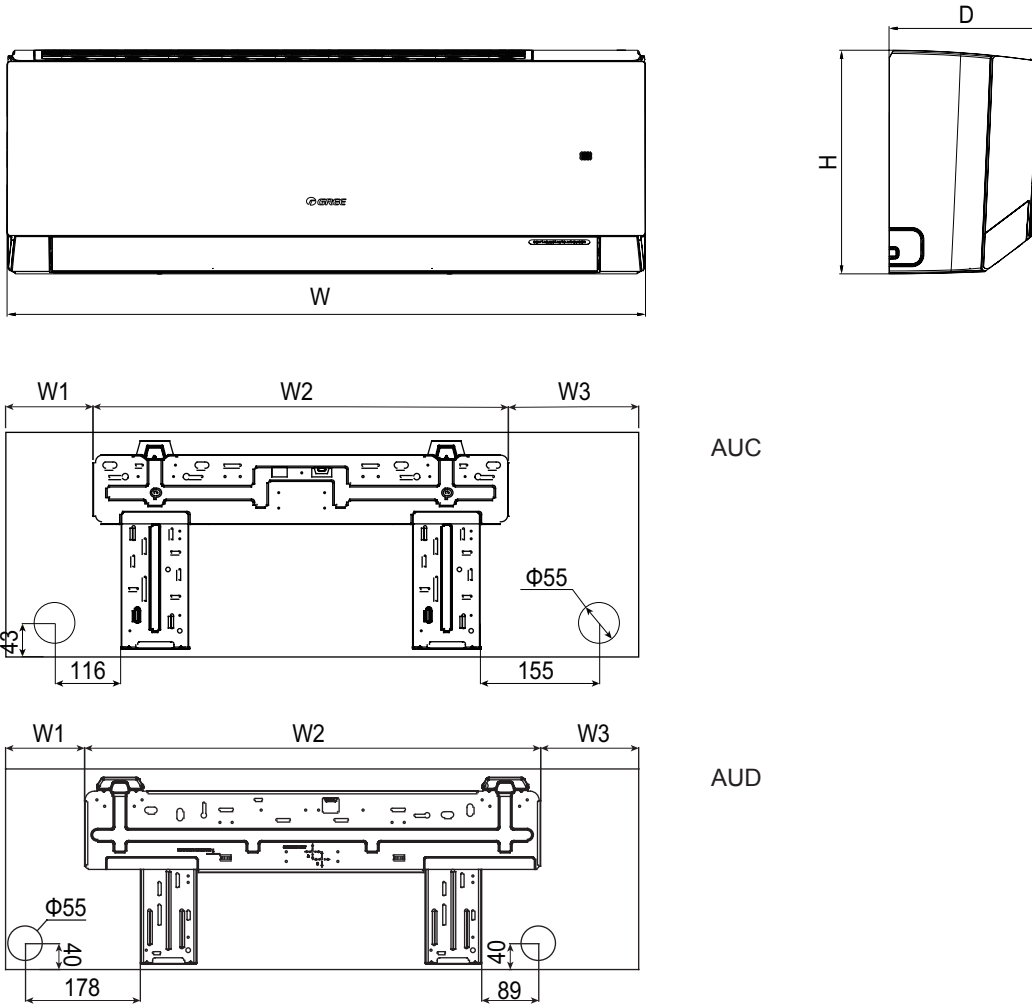
Model			1.GWH18AUDXD-K6DNA1A 2.GWH18AUDXD-K6DNA2A
Product Code			1.CB575000100/CB575000102/CB575000103/CB575000104/CB575000107 2.CB597000200/CB597000204/CB597000203
Power Supply	Rated Voltage	V~	220-240
	Rated Frequency	Hz	50
	Phases		1
Power Supply Mode			Outdoor
Cooling Capacity		W	5300
Heating Capacity		W	5350
Cooling Power Input		W	1582
Heating Power Input		W	1393
Cooling Current Input		A	7.2
Heating Current Input		A	6.3
Rated Input		W	2350
Rated Cooling Current		A	10
Rated Heating Current		A	10.5
Air Flow Volume		m ³ /h	1000/850/760/650/580/520/450
Dehumidifying Volume		L/h	1.90
EER		W/W	3.35
COP		W/W	3.84
SEER			7.3
SCOP(Average/WarmerColder)			4.2/5.7/3.5
Application Area		m ²	23-34
Indoor Unit	Model		1.GWH18AUDXD-K6DNA1A/I 2.GWH18AUDXD-K6DNA2A/I
	Product Code		1.CB575N00100/CB575N00102/CB575N00103/CB575N00104/CB575N00105 2.CB597N00200/CB597N00204/CB597N00203
	Fan Type		Cross-flow
	Fan Diameter Length(DXL)	mm	Φ106×739
	Cooling Speed	r/min	1250/1150/1030/960/800/700/650/500
	Heating Speed	r/min	1300/1150/1040/950/900/880/800
	Fan Motor Power Output	W	45
	Fan Motor RLA	A	0.25
	Fan Motor Capacitor	μF	/
	Heater Power Input	W	/
	Evaporator Form		Aluminum Fin-copper Tube
	Evaporator Pipe Diameter	mm	Φ5
	Evaporator Row-fin Gap	mm	2-1.3
	Evaporator Coil Length (LXDXW)	mm	745×22.8×342.9
	Swing Motor Model		MP24AK/MP24BA/MP24HF
	Swing Motor Power Output	W	1.5/1.5 /1.5
	Fuse Current	A	3.15
	Sound Pressure Level	dB (A)	Cooling:45/42/40/37/34/29/26/23 Heating:48/44/42/37/36/35/32
	Sound Power Level	dB (A)	Cooling:60/55/53/50/47/42/39/36 Heating:60/57/55/50/49/48/45
	Dimension (WXHXD)	mm	993×311×222
	Dimension of Carton Box (LXWXH)	mm	1050×377×288
Dimension of Package (LXWXH)	mm	1055×385×298	
Net Weight	kg	12.5	
Gross Weight	kg	15	

Outdoor Unit	Outdoor Unit Model		GWH18AUDXD-K6DNA1A/O(LCLH)	
	Outdoor Unit Product Code		CB575W00100	
	Compressor Manufacturer		ZHUHAI LANDA COMPRESSOR CO.,LTD	
	Compressor Model		QXF-A120zH170A	
	Compressor Oil		FW68DA or equivalent	
	Compressor Type		Rotary	
	Compressor LRA.	A		18.00
	Compressor RLA	A		5.00
	Compressor Power Input	W		1096
	Compressor Overload Protector			HPC115/95U1/KSD115°C
	Throttling Method			Electron expansion valve
	Set Temperature Range	°C		16~30
	Cooling Operation Ambient Temperature Range	°C		-15~50
	Heating Operation Ambient Temperature Range	°C		-25~30
	Condenser Form			Aluminum Fin-copper Tube
	Condenser Pipe Diameter	mm		Φ7
	Condenser Rows-fin Gap	mm		2-1.4
	Condenser Coil Length (LXDXW)	mm		895×38.1×528
	Fan Motor Speed	rpm		880
	Fan Motor Power Output	W		30
	Fan Motor RLA	A		0.40
	Fan Motor Capacitor	μF		/
	Outdoor Unit Air Flow Volume	m ³ /h		2200
	Fan Type			Axial-flow
	Fan Diameter	mm		Φ420
	Defrosting Method			Automatic Defrosting
	Climate Type			T1
	Isolation			I
	Moisture Protection			IPX4
	Permissible Excessive Operating Pressure for the Discharge Side	MPa		4.3
	Permissible Excessive Operating Pressure for the Suction Side	MPa		2.5
	Sound Pressure Level	dB (A)		56
	Sound Power Level	dB (A)		65
Dimension(WXHxD)	mm		802×555×350	
Dimension of Carton Box (LXWXH)	mm		869×395×594	
Dimension of Package(LXWXH)	mm		872×398×620	
Net Weight	kg		31.5	
Gross Weight	kg		34	
Refrigerant			R32	
Refrigerant Charge	kg		0.85	
Connection Pipe	Connection Pipe Length	m	5	
	Connection Pipe Gas Additional Charge	g/m	16	
	Outer Diameter Liquid Pipe		1/4"	
	Outer Diameter Gas Pipe		1/2"	
	Max Distance Height	m	10	
	Max Distance Length	m	25	
	Note: The connection pipe applies metric diameter.			

The above data is subject to change without notice. Please refer to the nameplate of the unit.

3. Outline Dimension Diagram

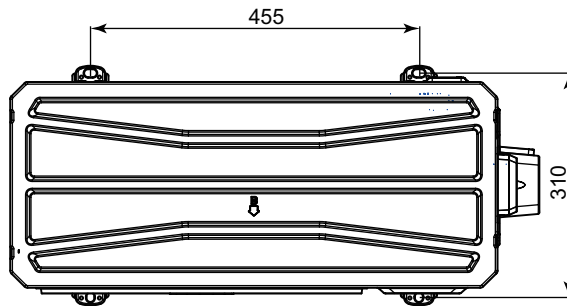
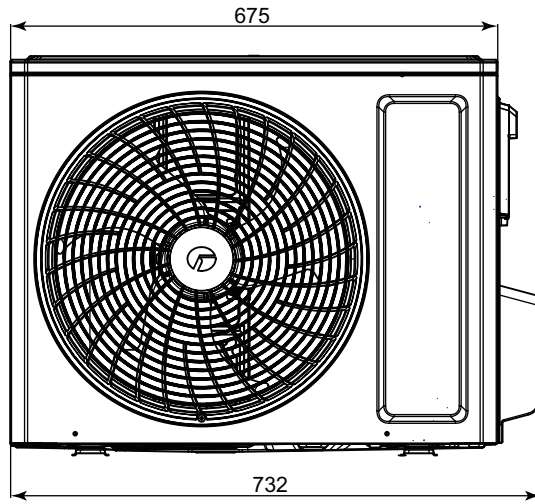
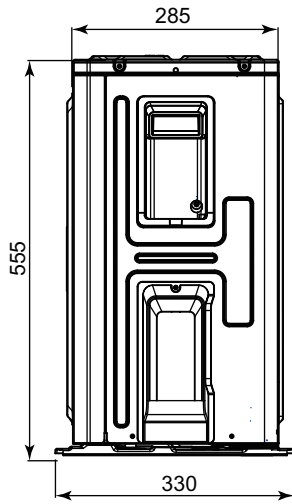
3.1 Indoor Unit



Model (-The first three characters)	W	H	D	W1	W2	W3
AUC	837	293	200	119	542	176
AUD	993	311	222	128	707.5	157.5

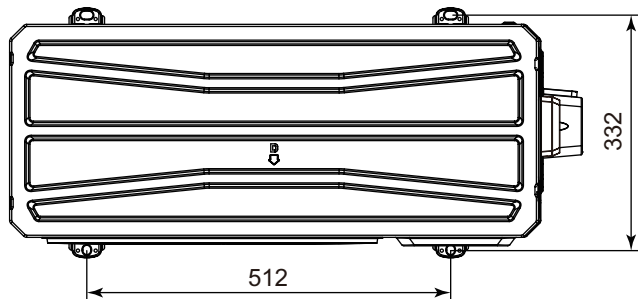
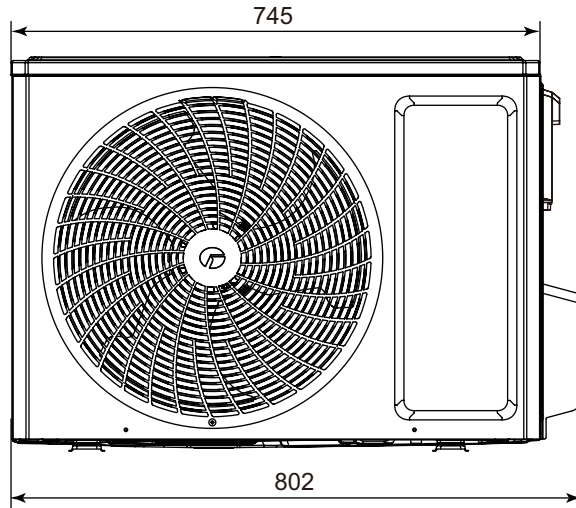
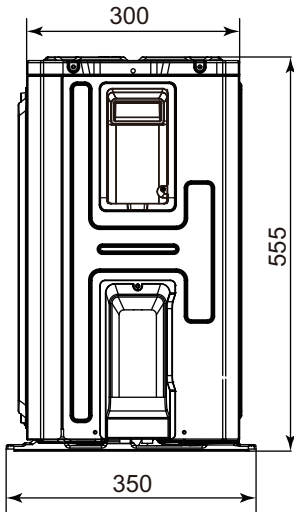
3.2 Outdoor Unit

GWH09AUCXB-K6DNA1A/O GWH12AUCXB-K6DNA1A/O



Unit:mm

GWH18AUDXD-K6DNA1A/O GWH12AUCXD-K6DNA1C/O
(The front grill appearance is for reference only)



Unit:mm